

CETOP R58 H/ISO 6020/1

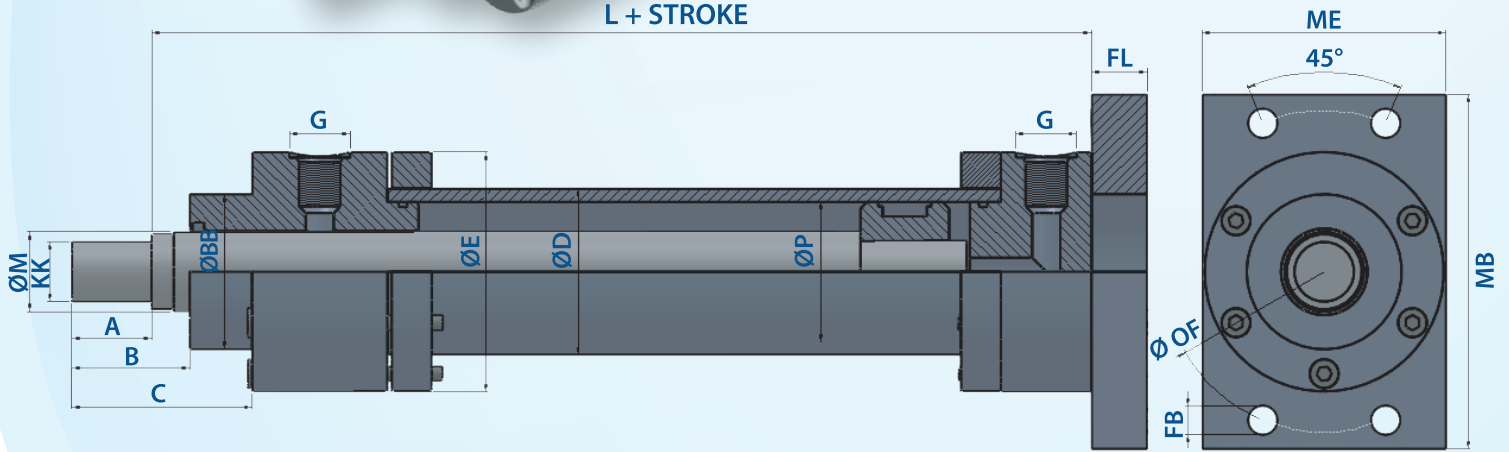
Çift Tesirli Hidrolik Silindirler HS 113 B Serisi (Normal Milli)

Double Acting Hydraulic Cylinders HS 113 B Series (Regular Rod)

Doppelwirkender Hydraulik Zylinder HS 113 B Serie (Normale Kolben)



L + STROKE



ØP PİSTON	Ø25	Ø32	Ø40	Ø50	Ø63	Ø80	Ø100	Ø125	Ø140	Ø160	Ø180	Ø200
M	14	18	22	28	36	45	56	70	80	90	100	110
A	16	18	22	28	36	45	56	63	75	85	90	95
B	29	31	35	42	52	63	76	86	100	110	120	125
C	44	50	54	66	81	99	113	123	140	151	165	170
BB	32	40	50	60	70	85	106	132	145	160	185	200
D	35	40	50	60	75	95	115	145	160	180	210	245
E	58	68	78	98	108	129	158	186	210	240	255	296
G	R 1/4"	R 1/4"	R 3/8"	R 1/2"	R 1/2"	R 1/2"	R 3/4"	R 3/4"	R 3/4"	R 1"	R 1"	R 1"
KK	M12x1.25	M14x1.5	M16x1.5	M20x1.5	M27x2.0	M33x2.0	M42x2.0	M48x2.0	M56x2.0	M64x3.0	M72x3.0	M80x3.0
L	150	170	190	205	224	250	300	325	360	370	425	450
FB	6.6	9	9	11	13	17.5	22	22	-	-	-	-
MB	85	105	115	140	160	182	220	252	-	-	-	-
ME	60	70	80	90	110	125	150	180	-	-	-	-
OF	75	92	106	126	145	165	200	235	-	-	-	-
FL	12	16	16	20	25	32	32	32	-	-	-	-